

Model 2495 — Surface-Mounted

- Roll Paper Towels
- Lever Operation

Product Materials

BASE AND COVER: fabricated of high-impact plastic. Black translucent cover with speckled gray base.

HANDLE: Black plastic treated with Bio-Pruf® to inhibit bacteria growth.

Capacity

One 8" wide paper towel roll and one 4" partial (stub) roll. 1½" core diameter.

Operation

Lever-operated dispensing mechanism will provide an adjustable means to dispense a nominal 5", 4" or 2½" of toweling per lever stroke. Toweling will only be dispensed with the downward stroke of the lever.

Installation

Verify all rough-in dimensions prior to installation. Secure to wall using convenient mounting slots and appropriate mounting devices.

Guide Specification

Cabinet base and cover shall be fabricated from high impact plastic.

Cabinets shall have a lever-operated dispensing mechanism. The operating lever is located on the side of the dispenser.

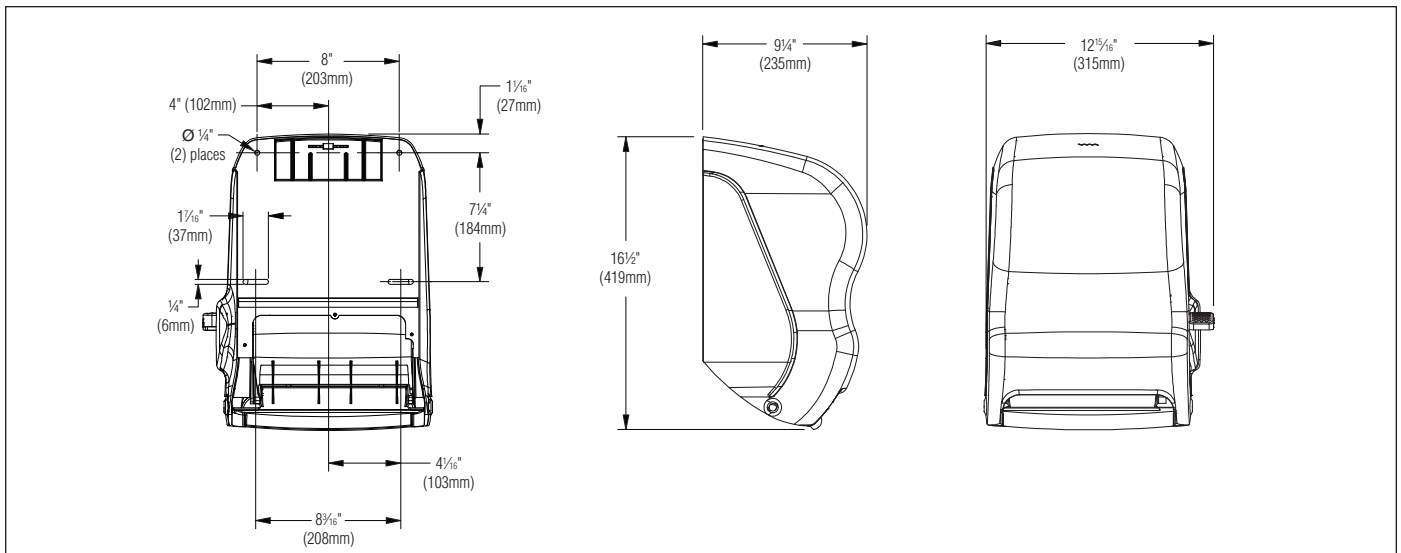
Cabinets shall include a transfer system which will automatically start feeding the paper web of the top roll when the lower roll is nearly depleted.

Overall dimensions: 12⁵/₁₆"W x 16¹/₂"H x 9¹/₄"D.



Service Parts Available

Description	Part No.
<input type="checkbox"/> Replacement Cover (no logo)	P15-453
<input type="checkbox"/> Key	P15-454



Washroom Accessories Document No. 8207

This information is subject to change without notice.
Always consult local and national codes for proper installation guidelines.
Conformity and compliance to local and national codes is the responsibility of the installer.

6-18-2010

© 2010 Bradley Corporation
P.O. Box 309, Menomonee Falls, WI 53052-0309

